

OG2 4L/Min Oval Gear Meter



The compact rugged OG2 oval gear flowmeter is designed to give high performance with a low cost of ownership. It has a standard flow range from 0.03 to 4 L/min on 30 cSt oil and 0.15 to 4 L/min on water like liquids. It can have totally non-metallic wetted components, PEEK™, ceramic and an elastomer which makes this the ideal choice for the metering of aggressive chemicals. The standard inlet and outlet are ¼" female threads. For OEM use alternatives, including manifold mountings, are available. The standard model is 316 St St with Viton™ 'O' ring seal.

At the heart of the meter are a pair of toothed oval gears one of which contains chemically resistant magnets. Rotation is detected through the chamber wall by a Hall effect detector or a reed switch giving approximately 1100 pulses per litre passed. The output is an NPN pulse or a voltage free contact closure either of which is readily interfaced with most electronic display or recording devices. This combination of materials and technology ensures a long life product with reliable, accurate operation throughout.



IDEAL FOR

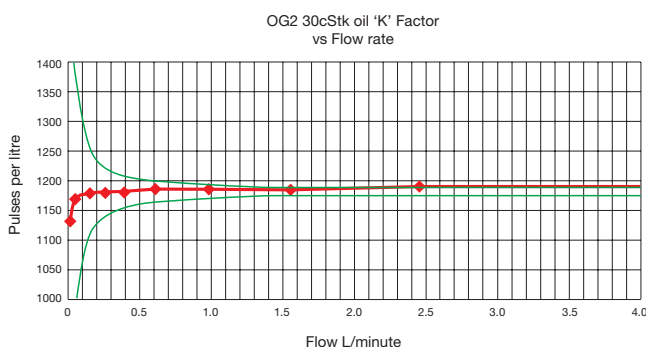
- Engine test
- Oil flow
- High viscosity fluids
- OEM equipment
- Hazardous areas



FEATURES

- Excellent chemical resistance
- Rugged construction
- Individual calibration
- High viscosity capability
- Low pressure loss
- No flow conditioning required
- Compact meter assembly
- Hall, reed switch or Namur sensor
- Accuracy 1.0% FSD water
0.75% FSD oil
- ±0.5% reading *
- 0.1% repeatability
- IP67/NEMA 4 protection
- Models to 700 Bar
- Non-metallic option

* When used with our metra-smart instrument





Ordering codes

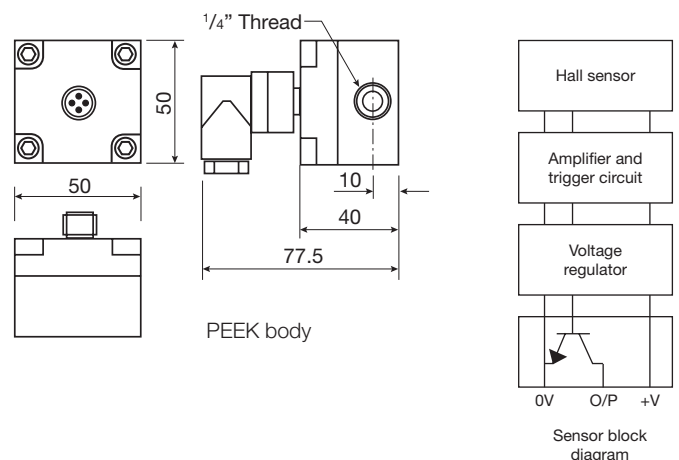
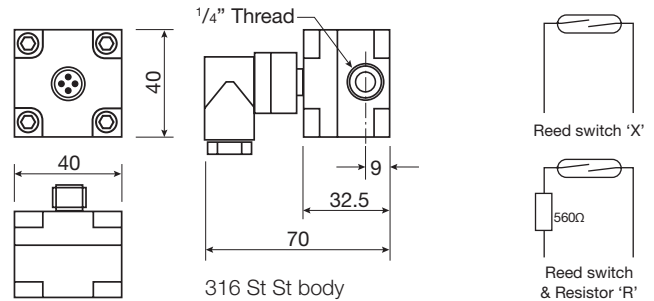
Model	OG2
Body material	S = 316 St St 50 bar std P = PEEK 10 Bar max H = Hastelloy C
Temp rating	S = 80°C / 158°F T = 100°C / 212°F U = 150°C / 300°F
Pressure rating	5 = 50 Bar 750 PSI (St St) 1 = 10 Bar 150 PSI (Al / PEEK) 4 = 400 Bar 5880 PSI (St St) 7 = 700 Bar 10150 PSI (St St)
Seal Material	V = Viton® N = Nitrile E = EPDM P = PTFE (50 Bar max) K = Kalrez®
Detector Type	H = Hall effect R = Reed switch & Resistor N = Namur X = Reed switch (Hazardous area)
Pipe Thread	Q = 1/4" (OG2 std)
Connections	B = BSP F N = NPT F F = Flanged (specify)

e.g. **OG2-SS5-VHQ-B** is a stainless steel meter rated at 80°C, 50 Bar, Viton® seal, Hall effect detector and a 1/4" BSP thread.



TECHNICAL SPECIFICATIONS

Sample product codes →	Stainless standard OG2-SS5-VHQ-B	PEEK standard OG2-PS1-VHQ-B
Flow range	- Water - 30 cSt Oil	0.15 - 4.0 L/min 0.03 - 4.0 L/min
Wetted parts	- Body - Gears - Seal - Magnet	PEEK Carbon filled PEEK Viton® Ceramic
Accuracy	- Water - 30 cSt oil	± 1.0% FSD ± 0.75% FSD
Repeatability		± 0.1%
Detector Type		Hall effect
Terminations		M12 instrument socket
Approx 'K' factor – Pulses/Litre	1100	1100



TITAN ENTERPRISES LTD.
Coldharbour Business Park, Sherborne, Dorset DT9 4JW
 Tel: (44) 01935 812790
 Email: sales@flowmeters.co.uk
www.flowmeters.co.uk

Weight (kg)		
St St	50 Bar	0.360
PEEK™	10 Bar	0.184
St St	400 Bar	3.000