

# OG3 10L/Min Oval Gear Meter



The compact rugged OG3 oval gear flowmeter is designed to give high performance with a low cost of ownership. It has a standard flow range from 0.05 to 10 L/Min on 30 cSt oil and 0.5 to 10 L/min on water like liquids. It can have totally non-metallic wetted components, PEEK, ceramic and an elastomer which makes this the ideal choice for the metering of aggressive chemicals. The standard inlet and outlet are ½" female threads. For OEM use alternatives, including manifold mountings, are available. The standard model is 316 St St with Viton® 'O' ring seal.

At the heart of the meter are a pair of toothed oval gears one of which contains chemically resistant magnets. Rotation is detected through the chamber wall by a Hall effect detector or a reed switch giving approximately 440 pulses per litre passed. The output is an NPN pulse or a voltage free contact closure either of which is readily interfaced with most electronic display or recording devices. This combination of materials and technology ensures a long life product with reliable, accurate operation throughout.



## IDEAL FOR

- Engine test
- Critical oil flow
- High viscosity fluids
- OEM equipment
- Hazardous areas

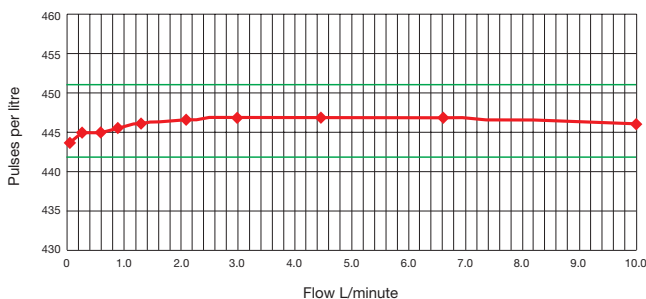


## FEATURES

- Excellent chemical resistance
- Rugged construction
- Individual calibration
- High viscosity capability
- Low pressure loss
- No flow conditioning required
- Compact meter assembly
- Hall, reed switch or Namur sensor
- Accuracy 0.5% FSD water  
1.0% reading oil (30 cSt)
- ±0.50% reading \*
- 0.1% repeatability
- IP67/NEMA 4 protection
- Models to 700Bar
- Non-metallic option

\* When used with our Metra-Smart instrument

OG3 30cStk oil 'K' Factor  
vs Flow rate





## Ordering codes

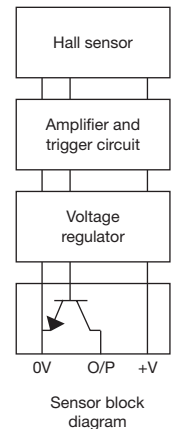
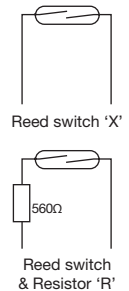
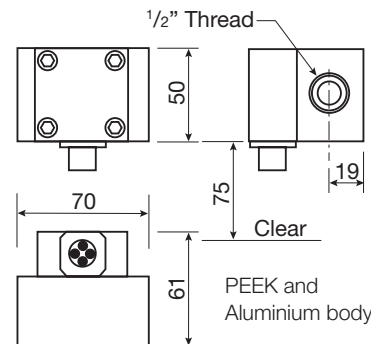
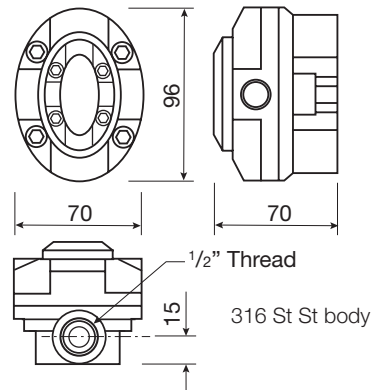
<b>Model</b>
<b>OG3</b>
<b>Body material</b>
<b>S = 316 St St 50 bar std</b>
A = Aluminium 10 Bar max
P = PEEK 10 Bar max
H = Hastelloy C
<b>Temp rating</b>
<b>S = 80°C / 158°F</b>
T = 100°C / 212°F
U = 150°C / 300°F
<b>Pressure rating</b>
<b>5 = 50 Bar 750 PSI (St St)</b>
1 = 10 Bar 150 PSI (Al / PEEK)
4 = 400 Bar 5880 PSI (St St)
7 = 700 Bar 10150 PSI (St St)
<b>Seal Material</b>
<b>V = Viton®</b>
N = Nitrile
E = EPDM
P = PTFE (Max 50Bar)
K = Kalrez®
<b>Detector Type</b>
<b>H = Hall effect</b>
R = Reed Switch & Resistor
N = Namur
X = Reed Switch (Hazardous area)
<b>Pipe Thread</b>
<b>H = 1/2" (OG3 std)</b>
<b>Connections</b>
<b>B = BSP F</b>
N = NPT F
F = Flanged (specify)

e.g. **OG3-SS5-VHH-B** is a stainless steel meter rated at 80°C, 50 Bar, Viton® seal, Hall effect detector and a 1/2" BSP thread.



## TECHNICAL SPECIFICATIONS

Sample product codes →	Stainless standard OG3-SS5-VHH-B	Aluminium standard OG3-AS1-VHH-B	PEEK standard OG3-PS1-VHH-B
Flow range – Water – 30 cSt Oil	0.5 - 10 L/min 0.05 - 10 L/min	0.5 - 10 L/min 0.05 - 10 L/min	0.5 - 10 L/min 0.05 - 10 L/min
Wetted parts– Body – Gears – Seal – Magnet	316 St St Carbon filled PEEK Viton® Ceramic	Aluminium Carbon filled PEEK Viton® Ceramic	PEEK Carbon filled PEEK Viton® Ceramic
Accuracy – Water – 30 cSt oil	± 0.5% FSD ± 1.0% Reading	± 0.5% FSD ± 1.0% Reading	± 0.5% FSD ± 0.5% FSD
Repeatability	± 0.1%	± 0.1%	± 0.1%
Detector Type	Hall effect	Hall effect	Hall effect
Terminations	Via M20 cable gland	MIL style instrument socket	4 Pin M12
Approx 'K' factor – Pulses/Litre	440	440	440



Weight (kg)		
St St	50 Bar	1.350
PEEK	10 Bar	0.230
Aluminium	10 Bar	0.422
St St	400 Bar	3.000
St St	700 Bar	9.000

## TITAN ENTERPRISES LTD.

Coldharbour Business Park, Sherborne, Dorset DT9 4JW

Tel: (44) 01935 812790

Email: [sales@flowmeters.co.uk](mailto:sales@flowmeters.co.uk)

[www.flowmeters.co.uk](http://www.flowmeters.co.uk)

For reference only; for latest information contact your local distributor.