

# PULSITE SOLO Digital Rate and Total Indicator



The battery powered **Pulsite Solo** is a programmable indicator unit that allows the user to digitally display either flow rate or total flow.

The Pulsite Solo is designed to be as versatile as possible, requiring no external power and permitting customisation to suit the application.

The instrument can be panel or surface mounted and will accept pulse, coil and reed switch flow devices. The battery has a typical 5 year life but the unit also has dc power capability.

Programming of the Pulsite Solo is simple, the front panel keys used with easy to follow screen prompts.



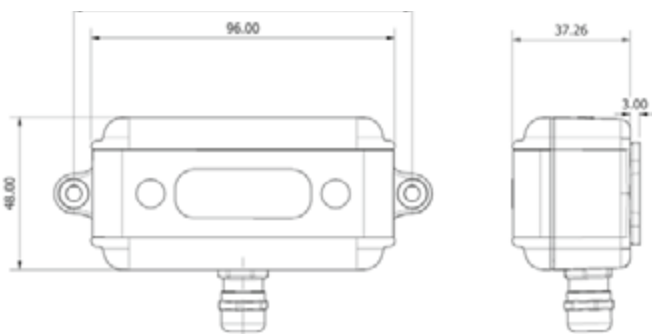
## IDEAL FOR

- Rate and total display
- Pulse output meters
- Low cost display
- Local or remote mounting



## FEATURES

- Clear 6 digit LCD display with enunciators
- Simple setting procedure
- Password protected
- Programmable scaling for rate and total
- Programmable time base for rate
- 96 x 48mm 1/8 DIN case
- Environmentally protected tough polymer housing
- Panel or surface mount
- Replaceable battery
- Front panel programmable
- 5 to 24Vdc power with the battery as backup
- Pulse, coil and switch inputs
- Logic/transistor inputs (external power recommended)



## Ordering code

**Pulsite Solo (Digital Rate and Total Indicator)**

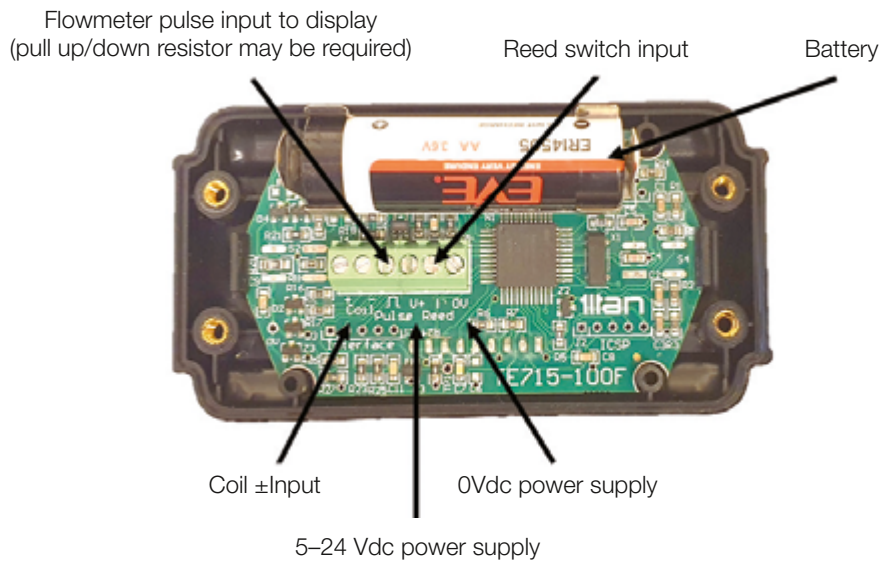
390-085

## Digital Rate and Total Indicator



### TECHNICAL SPECIFICATIONS

Power	Internal External	Battery 5 years typical life 5 – 24 Vdc
Input	Pulse Coil Reed Switch	max. 2kHz max. 2kHz, 3mV – 24V sine wave, max. 100Hz
Enclosure	Display Enclosure	IP64 Enclosure Tough polymer housing
Display	Trans-reflective LCD display	9.99999 to 999999 6 x 8mm high numerals with 2.5mm enunciators
Enunciators	Total Rate	No units displayed, Gall, cc, kg, gms or ltr Total time units: Sec, min & Hr



**TITAN ENTERPRISES LTD.**  
Coldharbour Business Park, Sherborne, Dorset DT9 4JW

Tel: **(44) 01935 812790**

Email: [sales@flowmeters.co.uk](mailto:sales@flowmeters.co.uk)

Distributor: DDM GmbH & Co. KG

*For reference only; for latest information contact your local distributor.*

Phone: +49 661 967 962-0 >>> Email: [info@ddm-sensors.de](mailto:info@ddm-sensors.de) >>> Web: [www.ddm-sensors.de](http://www.ddm-sensors.de)

08/22-1